

CATALOGO DELLE PARTI DI RICAMBIO  
IMPIANTI ELETTRICI

SPARE PARTS CATALOGUE  
ELECTRIC PLANT

CATALOGUE DE PIECE DETACHEES  
INSTALLATION ELECTRIQUE

ERSATZTEILKATALOG  
SCHALTPLAN

CATÁLOGO DE REPUESTOS  
INSTALACIÓN ELECTRICA

**MP60**

**MP80**

**MP100**

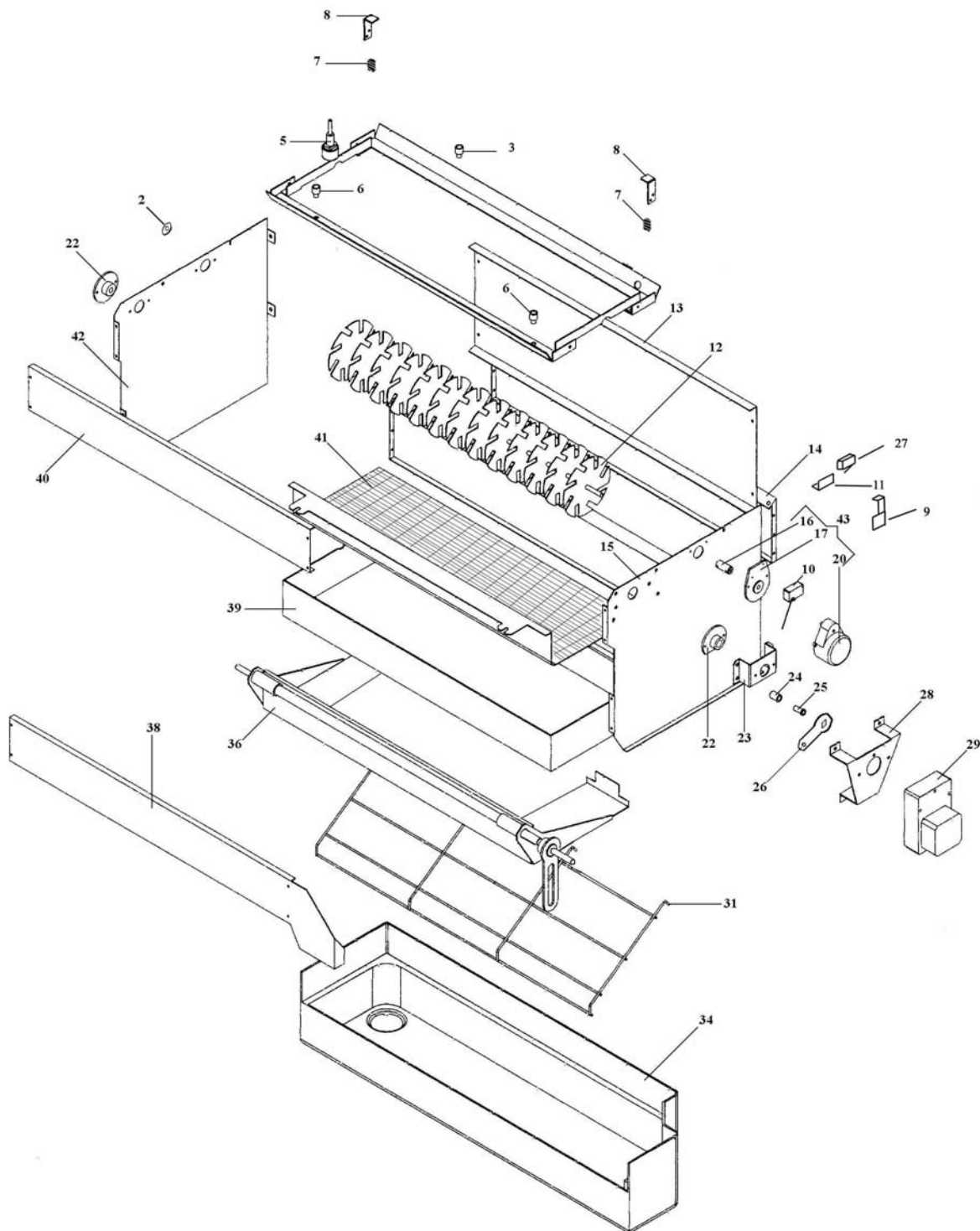
**MP150**

**MPM150**

## TAV.2

| POS, | COD,       | Denominazione                 | Denomination      | Denominacion           | Bezeichnung        | Denomination  |
|------|------------|-------------------------------|-------------------|------------------------|--------------------|---------------|
| 2    | 9020362000 | Supporto albero palette       | Support           | Soporte                | Lager              | Support       |
| 3    | 3060331100 | Distanziale h=1               | Spacer            | Entretoise             | Abstandscheibe     | Distanciador  |
| 5    | 3010024500 | Livellostato                  | Float             | Flotteur               |                    |               |
| 6    | 3060331200 | Distanziale                   | Spacer            | Entretoise             | Abstandscheibe     | Distanciador  |
| 7    | 2006053000 | Molla telaio                  | Spring            | Muelle                 | Feder              | Ressort       |
| 8    | 9016047700 | Supporto molla                | Support           | Soporte                | Lager              | Support       |
| 9    | 9016073100 | Comando micro                 | Cams only         | Comand microinterrupt. | Mikroschalterhebel |               |
| 10   | 3010320000 | Micro filo                    | Microswitch       | Micro                  | Mikroschalter      | Micro         |
| 11   | 9016047800 | Supporto micro                | Support           | Soporte                | Lager              | Support       |
| 12   | 9070336000 | Albero palette MP60/80        | Paddle-shaft      | Arbre palettes         | Paddelachse        |               |
| 12   | 9070341000 | Albero palette MP100/150      | Paddle-shaft      | Arbre palettes         | Paddelachse        |               |
| 13   | 9016139400 | Posteriore box MP60/80        |                   |                        |                    |               |
| 13   | 9016139600 | Posteriore box MP100/150      |                   |                        |                    |               |
| 14   | 9016139300 | Traverso post.box MP/60/80    |                   |                        |                    |               |
| 14   | 9016139500 | Traverso post.box MP100/150   |                   |                        |                    |               |
| 15   | 9016136000 | Parete porta componenti dx    | Righthand support | Paroi droite           | Rechte Halterung   |               |
| 16   | 9050031000 | Giunto ottone                 | Joint             |                        | Kupplung           | Joint         |
| 17   | 9020372000 | Supporto motoagitatore        | Support           | Soporte                | Lager              | Support       |
| 20   | 3004010000 | Motagitatore 220v             | Paddle motor      | Groupe motoagitateur   | Bewegungsmotor     |               |
| 22   | 9020371000 | Supporto albero D.12 serie M  | Support           | Soporte                | Lager              | Support       |
| 23   | 9016121400 | Supporto albero vaschetta     | Support           | Soporte                | Lager              | Support       |
| 24   | 9050423500 | Boccola leva                  | Bush              | Douille                | Buchse             | Casquillo     |
| 25   | 9050455000 | Perno boccola leva            | Pin               | Pivot                  | Bolzen             |               |
| 26   | 9016072800 | Leva motoriduttore            | Lever             | Levier                 | Hebel              |               |
| 27   | 3010321000 | Micro a rotella               | Microswitch       | Micro                  | Mikroschalter      | Micro         |
| 28   | 9016105900 | Supporto motoriduttore        | Support           | Soporte                | Lager              | Support       |
| 29   | 9082020700 | Gr motoriduttore              | Trough motor      | Motoréducteur          | Getriebemotor      |               |
| 31   | 9015818500 | Griglia controscivolo MP60/80 | Grille            | Rejilla                | Gitter             | Grille        |
| 31   | 9015819000 | Griglia controsc. MP100/150   | Grille            | Rejilla                | Gitter             | Grille        |
| 34   | 9030325800 | Vaschetta recupero MP60/80    | Tank              | Cuvette                | Wasserwanne        | Cubeta        |
| 34   | 9030325900 | Vaschetta recupero MP100/150  | Tank              | Cuvette                | Wasserwanne        | Cubeta        |
| 36   | 9016129200 | Gr telaio vaschetta MP60/80   | Tank frame        |                        | Wannenträger       | Cadre cuvette |
| 36   | 9016129300 | Gr telaio vaschetta MP100/150 | Tank frame        |                        | Wannenträger       | Cadre cuvette |
| 38   | 9016138500 | Traverso inf.box MP/60/80     |                   |                        |                    |               |
| 38   | 9016139000 | Traverso inf.box MP100/150    |                   |                        |                    |               |
| 39   | 9030329200 | Vaschetta cubetti MP60/80     | Tank              | Cuvette                | Wasserwanne        |               |
| 39   | 9030329300 | Vaschetta cubetti MP100/150   | Tank              | Cuvette                | Wasserwanne        | Cubeta        |
| 40   | 9016137500 | Traverso sup.box MP60/80      |                   |                        |                    |               |
| 40   | 9016138000 | Traverso sup.box MP100/150    |                   |                        |                    |               |
| 41   | 9015808600 | Scivolo MP/60/80              | Slide             | Glissade               |                    |               |
| 41   | 9015808700 | Scivolo MP100/150             | Slide             | Glissade               |                    |               |
| 42   | 9016137000 | Parete porta componenti sx    | Lefthand support  | Paroi gauche           | Linke Halterung    |               |
| 43   | 9082013000 | Gr motoagitatore 220v         | Paddle motor      | Groupe motoagitateur   | Bewegungsmotor     |               |

**TAV.2**



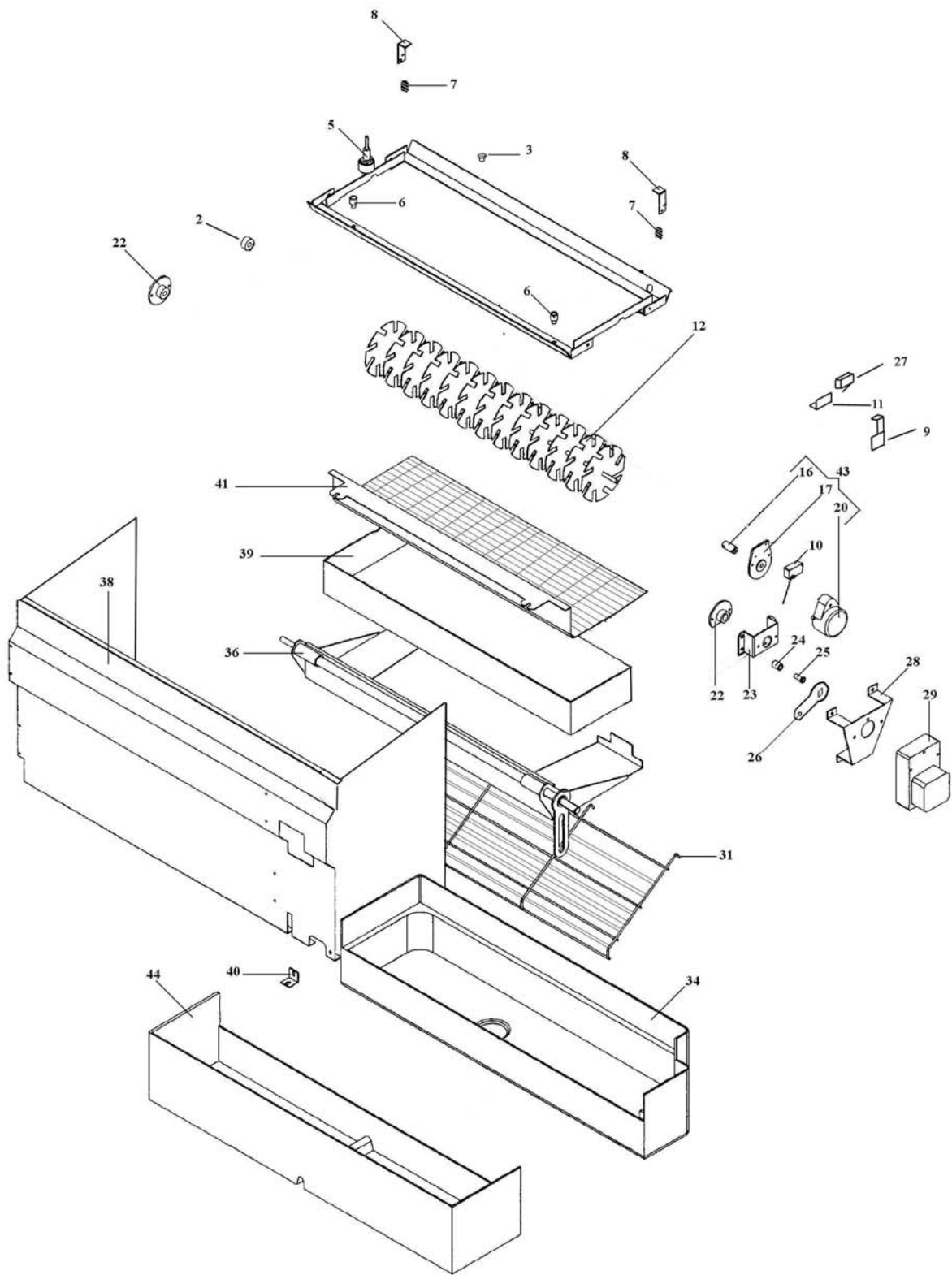
**MOD.MP60  
MOD.MP80  
MOD.MP100**

# MOD.MP150

## TAV.3

| POS. | COD.        | Denominazione          | Denomination | Denominacion           | Bezeichnung        | Denomination |
|------|-------------|------------------------|--------------|------------------------|--------------------|--------------|
| 2    | 9020362000  | Supp alb.palette       | Support      | Soporte                | Lager              | Support      |
| 3    | 3060331100  | Distanziale h=1        | Spacer       | Entretoise             | Abstandscheibe     | Distanciador |
| 5    | 3010024500  | Livellostato           | Float        | Flotteur               |                    |              |
| 6    | 3060331200  | Distanziale            | Spacer       | Entretoise             | Abstandscheibe     | Distanciador |
| 7    | 2006053000  | Molla telaio           | Spring       | Ressort                | Feder              | Muelle       |
| 8    | 9016047700  | Supporto molla         | Support      | Soporte                | Lager              | Support      |
| 9    | 9016073100  | Comando micro          | Cams only    | Comand microinterrupt. | Mikroschalterhebel |              |
| 10   | 3010320000  | Micro filo             | Microswitch  | Micro                  | Mikroschalter      | Micro        |
| 11   | 9016047800  | Supporto micro         | Support      | Soporte                | Lager              | Support      |
| 12   | 9070341000  | Albero palette         | Paddle-shaft | Arbre palettes         | Paddelachse        |              |
| 16   | 9050031000  | Giunto ottone          | Joint        |                        | Kupplung           | Joint        |
| 17   | 9020372000  | Supp motoagitatore     | Support      | Soporte                | Lager              | Support      |
| 20   | 3004010000  | Motoagitatore 220v     | Paddle motor | Groupe motoagitateur   | Bewegungsmotor     |              |
| 22   | 9020371000  | Supp alb.D12 serie M   | Support      | Soporte                | Lager              | Support      |
| 23   | 9016121400  | Supporto alb.vaschetta | Support      | Soporte                | Lager              | Support      |
| 24   | 9050423500  | Boccola leva codronata | Bush         | Casquillo              | Buchse             | Douille      |
| 25   | 9050455000  | Perno boccola leva     | Pin          | Pivot                  | Bolzen             |              |
| 26   | 9016072800  | Leva motoriduttore     | Lever        | Levier                 | Hebel              |              |
| 27   | 3010321000  | Micro rotella          | Microswitch  | Micro                  | Mikroschalter      | Micro        |
| 28   | 9016105900  | Supporto motoriduttore | Support      | Soporte                | Lager              | Support      |
| 29   | 9082020700  | Gr motoriduttore       | Trough motor | Motoréducteur          | Getriebemotor      |              |
| 31   | 9015812300  | Griglia controscivolo  | Grille       | Rejilla                | Gitter             | Grille       |
| 34   | 9030325400  | Vaschetta recupero     | Tank         | Cuvette                | Wasserwanne        | Cubeta       |
| 36   | 9016129300  | Gr telaio vaschetta    | Tank frame   | Cadre cuvette          | Wannenträger       |              |
| 39   | 9030329300  | Vaschetta cubetti      | Tank         | Cuvette                | Wasserwanne        | Cubeta       |
| 40   | 9016047500  | Supporto frontale      | Support      | Soporte                | Lager              | Support      |
| 41   | 90115808700 | Scivolo                | Slide        | Glissade               |                    |              |
| 43   | 9082013000  | Gr motoagitatore 220v  | Paddle motor | Groupe motoagitateur   | Bewegungsmotor     |              |
| 44   | 9016172500  | Convogliatore cubetti  |              |                        |                    |              |

# TAV.3

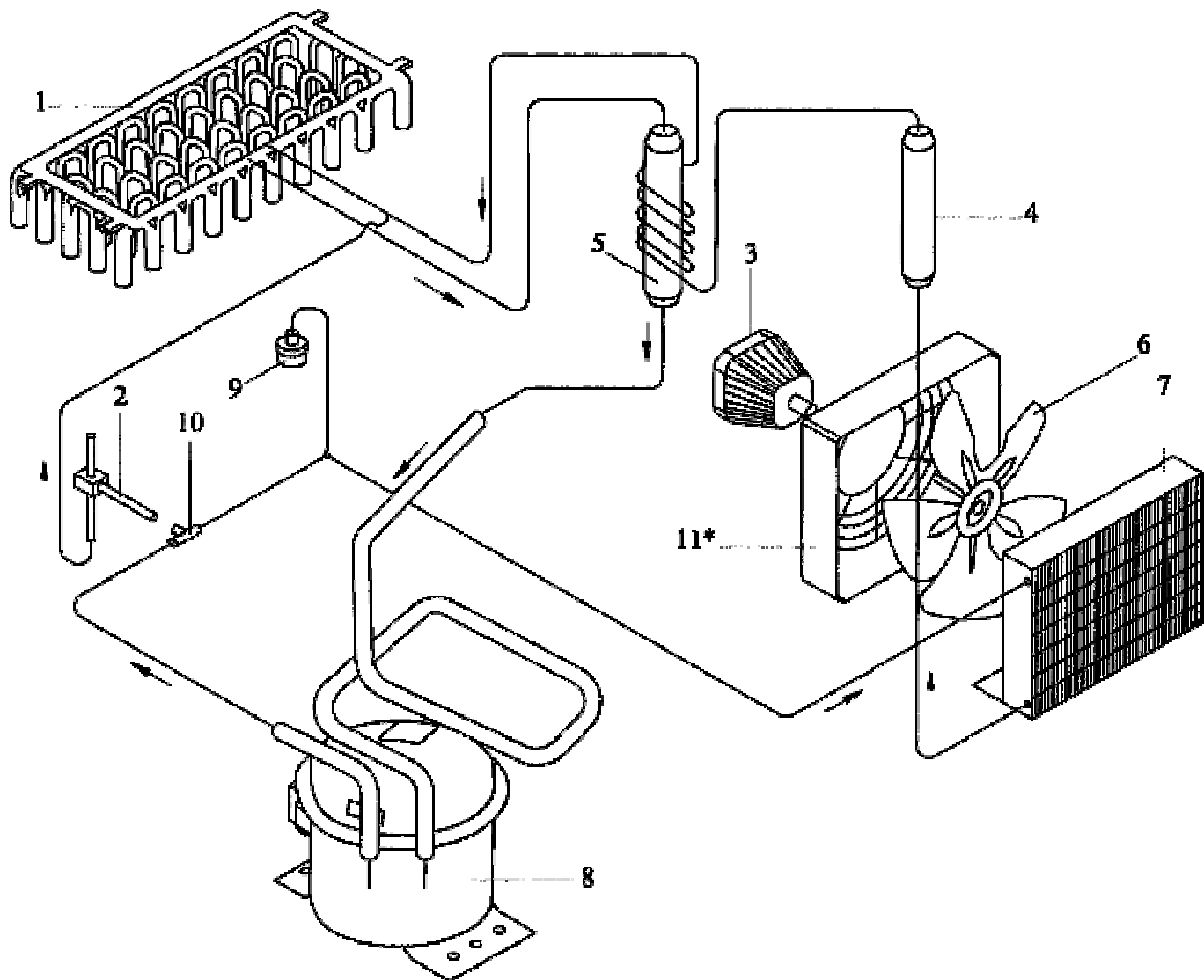


**MOD.MPM150**

# TAV.7

| POS. | COD.       | Denominazione                  | Denomination    | Denominacion         | Bezeichnung       | Denomination         |
|------|------------|--------------------------------|-----------------|----------------------|-------------------|----------------------|
| 1    | 9086684000 | Evaporatore completo MP60-80   | Evaporator assy | Evaporateur compl.   | Kompl. Verdampfer | Evaporador completo  |
| 1    | 9086689000 | Evaporatore completo MP100-150 | Evaporator assy | Evaporateur compl.   | Kompl. Verdampfer | Evaporador completo  |
| 2    | 4011020000 | Valvola gas caldo              | Hot gas valve   | Vanne gas chaud      | Abtauventil       | Válvula              |
| 3    | 3003022000 | Motoventilatore MP60-80        | Motor fan       | Motoventilateur      | Motorventil       | Motoventilador       |
| 3    | 3003030000 | Motoventilatore MP100          | Motor fan       | Motoventilateur      | Motorventil       | Motoventilador       |
| 3    | 3003070000 | Motoventilatore MP150          | Motor fan       | Motoventilateur      | Motorventil       | Motoventilador       |
| 4    | 4008014000 | Filtro MP60-80-100             | Filter          | Filtre               | Filter            | Filtro               |
| 4    | 4008020000 | Filtro MP150                   | Filter          | Filtre               | Filter            | Filtro               |
| 5    | 4009034000 | Boyler con capillari MP60-80   | Boyler          | Boyler               | Boyler            | Boyler con capilares |
| 5    | 4009044000 | Boyler con capillari MP100-150 | Boyler          | Boyler               | Boyler            | Boyler con capilares |
| 6    | 4005019000 | Ventola MP60-80                | Fan             | Hélic de ventilation | Flügelrad         | Aspas ventilador     |
| 6    | 4005022000 | Ventola MP100-150              | Fan             | Hélic de ventilation | Flügelrad         | Aspas ventilador     |
| 7    | 4003026000 | Condensatore aria              | Air condenser   | Condenseur           | Kondensator       | Condensador aire     |
| 8    | 4001019300 | Compressore MP60               | Compressor      | Compresseur          | Kompressor        | Compresor            |
| 8    | 4001031600 | Compressore MP80-100           | Compressor      | Compresseur          | Kompressor        | Compresor            |
| 8    | 4001034500 | Compressore MP150              | Compressor      | Compresseur          | Kompressor        | Compresor            |
| 9    | 4006013000 | Pressostato                    | Pressostat      | Pressostat           | Drückwächter      | Presóstato           |
| 10   | 4048006000 | T in rame                      |                 |                      |                   |                      |
| 11   | 4003901000 | Convogliatore MP60-80          |                 |                      |                   |                      |
| 11   | 4003902000 | Convogliatore MP150            |                 |                      |                   |                      |

**TAV.7**



**\* SOLO PER MP60-80-150 / ONLY FOR MP60-80-150**

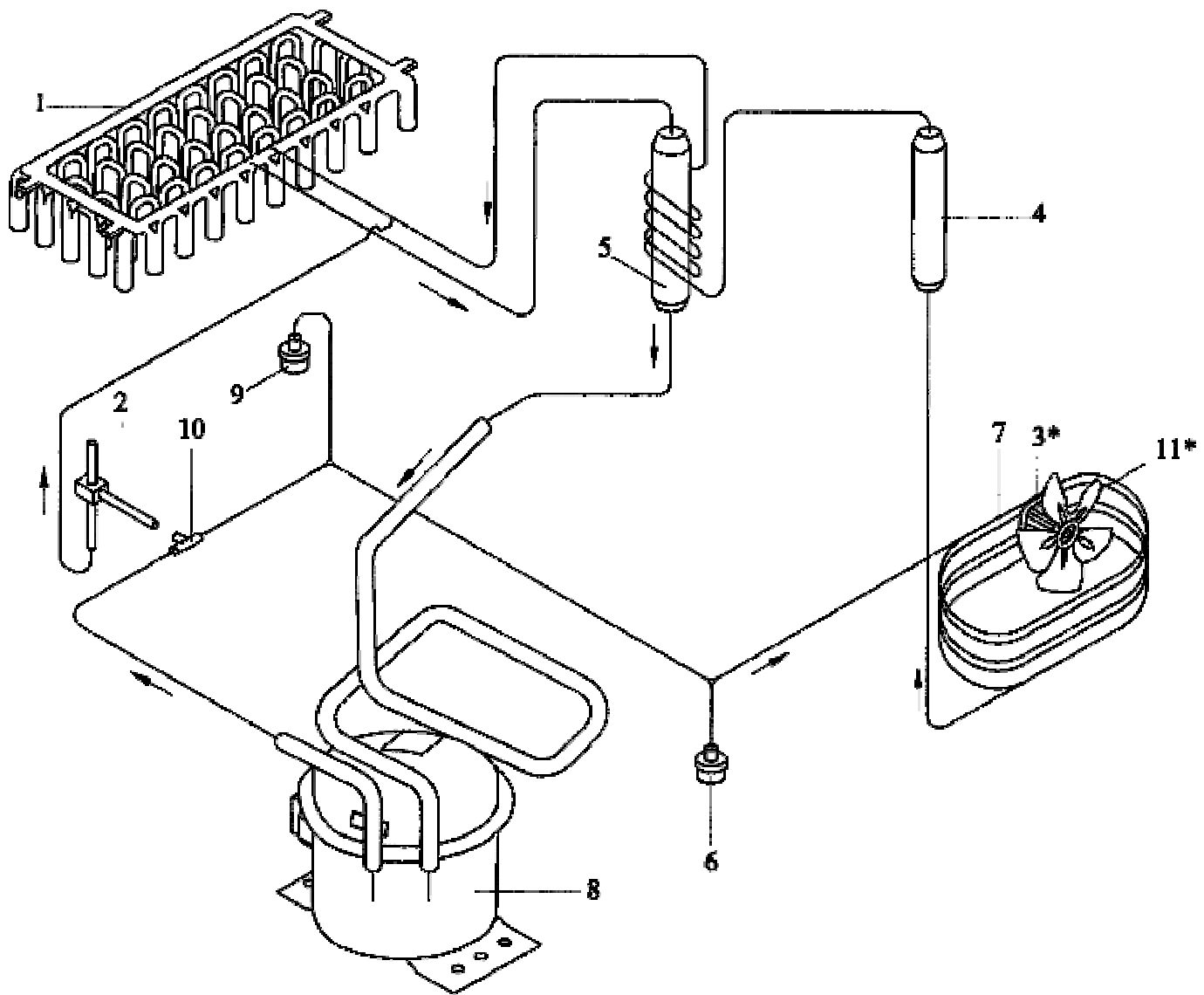
**MOD.MP60 A  
MOD.MP80 A  
MOD.MP100 A  
MOD.MP150 A**

# TAV.8

| POS. | COD.       | Denominazione                  | Denomination      | Denominacion         | Bezeichnung          | Denomination         |
|------|------------|--------------------------------|-------------------|----------------------|----------------------|----------------------|
| 1    | 9086684000 | Evaporatore completo MP60-80   | Evaporator assy   | Evaporateur compl.   | Kompl. Verdampfer    | Evaporador completo  |
| 1    | 9086689000 | Evaporatore completo MP100-150 | Evaporator assy   | Evaporateur compl.   | Kompl. Verdampfer    | Evaporador completo  |
| 2    | 4011020000 | Valvola gas caldo              | Hot gas valve     | Vanne gas chaud      | Abtauventil          | Válvula              |
| 3    | 3003012000 | Motoventilatore MP150          | Motor fan         | Motoventilateur      | Motorventil          | Motoventilador       |
| 4    | 4008014000 | Filtro MP60-80-100             | Filter            | Filtre               | Filter               | Filtro               |
| 4    | 4008020000 | Filtro MP150                   | Filter            | Filtre               | Filter               | Filtro               |
| 5    | 4009034000 | Boiler con capillari MP60-80   | Boiler            | Boiler               | Boiler               | Boiler con capilares |
| 5    | 4009044000 | Boiler con capillari MP100-150 | Boiler            | Boiler               | Boiler               | Boiler con capilares |
| 6    |            | Pressostato 24 atm             | Pressostat 24 atm | Pressostat 24 atm    | Drückschalter 24 atm | Presóstato 24 atm    |
| 7    | 9086541900 | Condensatore acqua MP60-80-100 | Water condenser   | Condenseur par eau   | Kondensator          | Condensador agua     |
| 7    | 9086543900 | Condensatore acqua MP150       | Water condenser   | Condenseur par eau   | Kondensator          | Condensador agua     |
| 8    | 4001019300 | Compressore MP60               | Compressor        | Compresseur          | Kompressor           | Compresor            |
| 8    | 4001031600 | Compressore MP80-100           | Compressor        | Compresseur          | Kompressor           | Compresor            |
| 8    | 4001034500 | Compressore MP150              | Compressor        | Compresseur          | Kompressor           | Compresor            |
| 9    | 4006013000 | Pressostato                    | Pressostat        | Pressostat           | Drückwächter         | Presóstato           |
| 10   |            | T in rame                      |                   |                      |                      |                      |
| 11   | 4005016000 | Ventola MP150                  | Fan               | Hélic de ventilation | Flügelrad            | Aspas ventilador     |



**TAV.8**



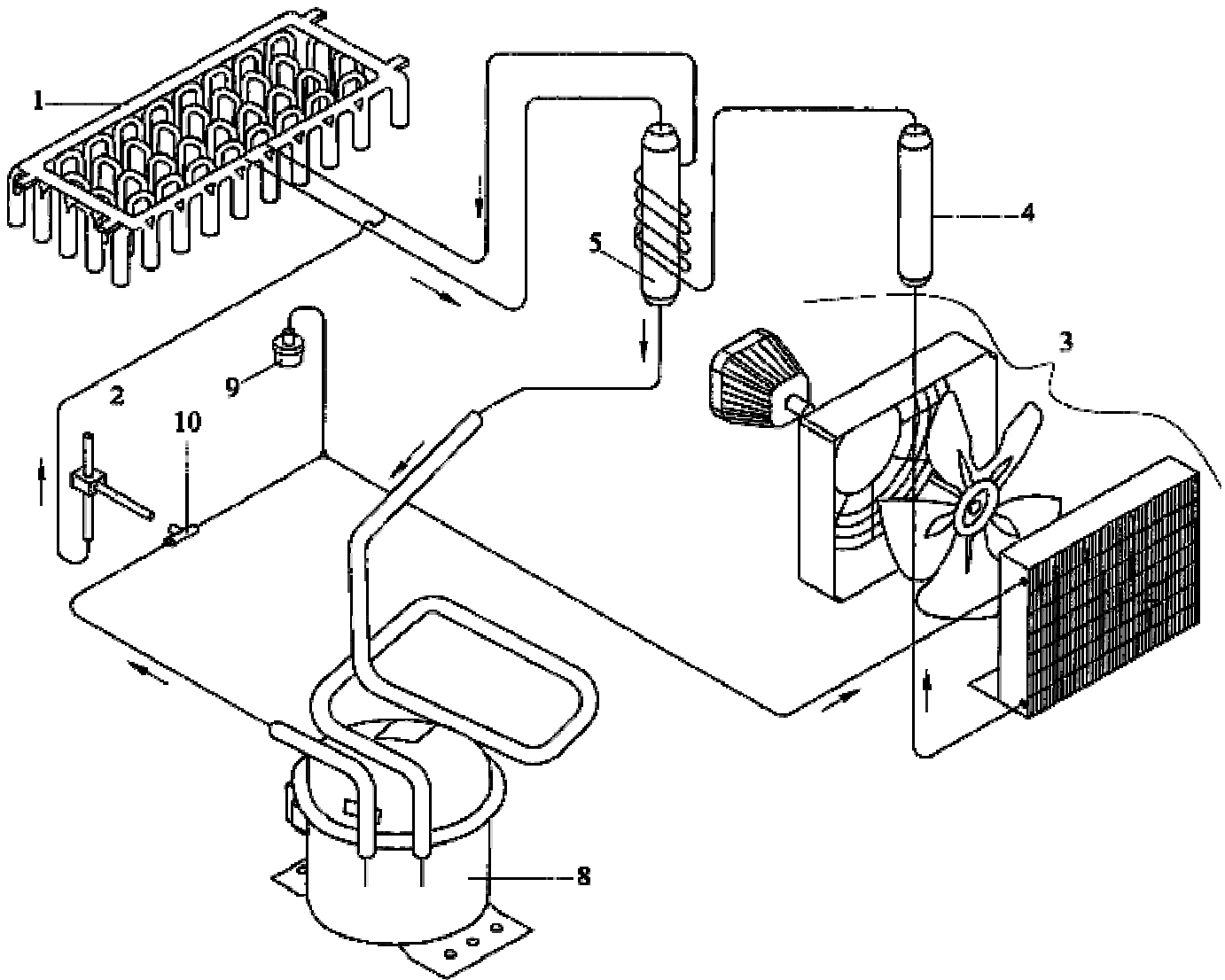
**\* SOLO PER MP150 / ONLY FOR MP150**

**MOD.MP60 W  
MOD.MP80 W  
MOD.MP100 W  
MOD.MP150 W**

**TAV.9**

| <b>POS.</b> | <b>COD.</b> | <b>Denominazione</b> | <b>Denomination</b> | <b>Denominacion</b> | <b>Bezeichnung</b> | <b>Denomination</b>  |
|-------------|-------------|----------------------|---------------------|---------------------|--------------------|----------------------|
| 1           | 9086689000  | Evaporatore completo | Evaporator assy     | Evaporateur compl.  | Kompl. Verdampfer  | Evaporador completo  |
| 2           | 4011020000  | Valvola gas caldo    | Hot gas valve       | Vanne gas chaud     | Abtauventil        | Válvula              |
| 3           | 4003039000  | Condensatore aria    | Air condenser       | Condenseur          | Kondensator        | Condensador aire     |
| 4           | 4008020000  | Filtro               | Filter              | Filtre              | Filter             | Filtro               |
| 5           | 4009044000  | Boyler con capillari | Boyler              | Boyler              | Boyler             | Boyler con capilares |
| 8           | 4001034500  | Compressore          | Compressor          | Compresseur         | Kompressor         | Compresor            |
| 9           | 4006013000  | Pressostato          | Pressostat          | Pressostat          | Drückwächter       | Presóstato           |
| 10          | 4048006000  | T in rame            |                     |                     |                    |                      |

**TAV.9**



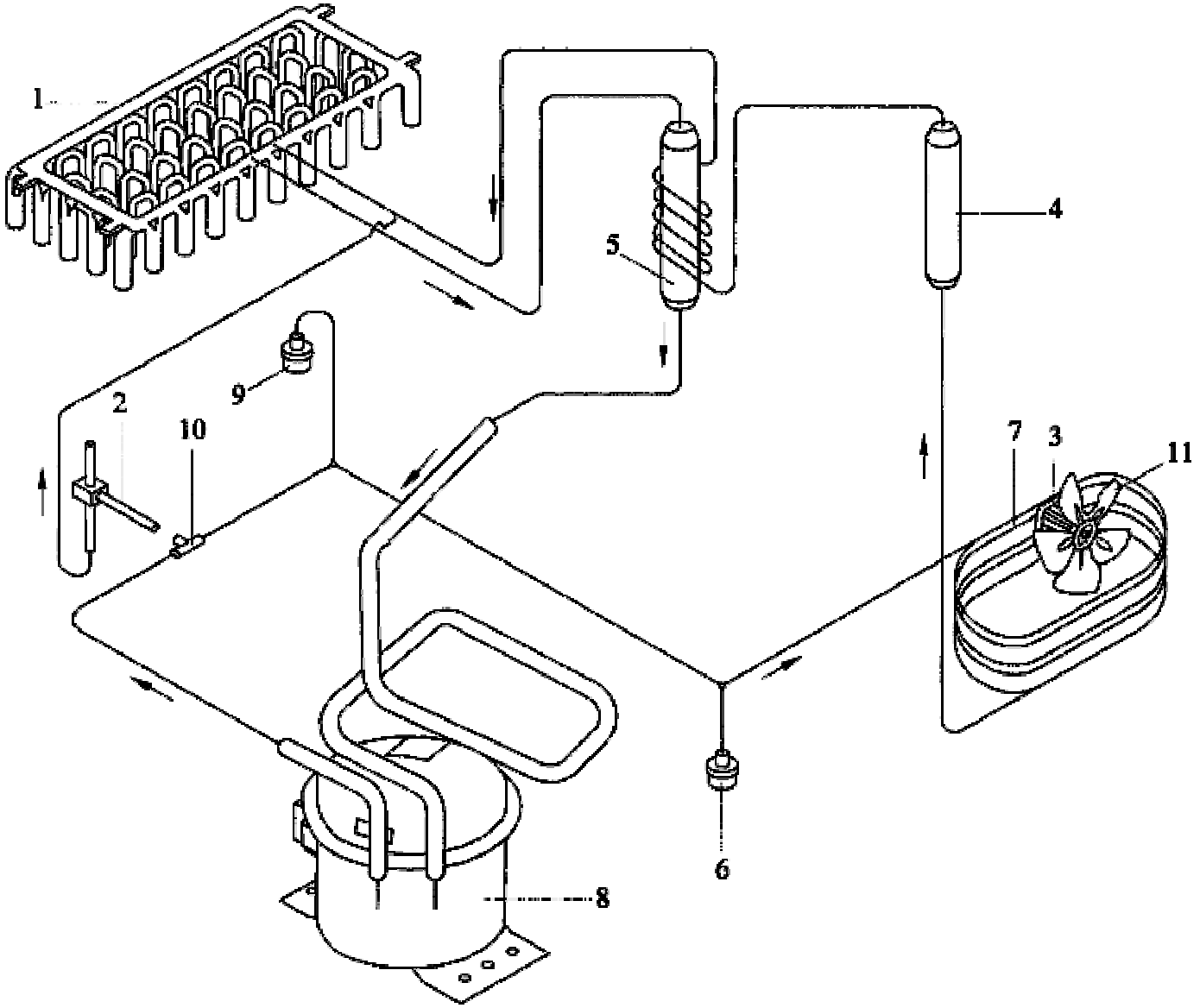
**\* SOLO PER MP60-80-150 / ONLY FOR MP60-80-150**

**MOD.MPM150 A**

**TAV.10**

| <b>POS.</b> | <b>COD.</b> | <b>Denominazione</b> | <b>Denomination</b> | <b>Denominacion</b>  | <b>Bezeichnung</b>   | <b>Denomination</b>  |
|-------------|-------------|----------------------|---------------------|----------------------|----------------------|----------------------|
| 1           | 9086689000  | Evaporatore completo | Evaporator assy     | Evaporateur compl.   | Kompl. Verdampfer    | Evaporador completo  |
| 2           | 4011020000  | Valvola gas caldo    | Hot gas valve       | Vanne gas chaud      | Abtauventil          | Válvula              |
| 3           | 3003012000  | Motoventilatore      | Motor fan           | Motoventilateur      | Motorventil          | Motoventilador       |
| 4           | 4008020000  | Filtro               | Filter              | Filtre               | Filter               | Filtro               |
| 5           | 4009044000  | Boyler con capillari | Boyler              | Boyler               | Boyler               | Boyler con capilares |
| 6           |             | Pressostato 24 atm   | Pressostat 24 atm   | Pressostat 24 atm    | Drückschalter 24 atm | Presóstato 24 atm    |
| 7           | 9086543900  | Condensatore acqua   | Water condenser     | Condenseur par eau   | Kondensator          | Condensador agua     |
| 8           | 4001034500  | Compressore          | Compressor          | Compresseur          | Kompressor           | Compresor            |
| 9           | 4006013000  | Pressostato          | Pressostat          | Pressostat           | Drückwächter         | Presóstato           |
| 10          | 4048006000  | T in rame            |                     |                      |                      |                      |
| 11          | 4005016000  | Ventola              | Fan                 | Hélis de ventilation | Flügelrad            | Aspas ventilador     |

**TAV.10**

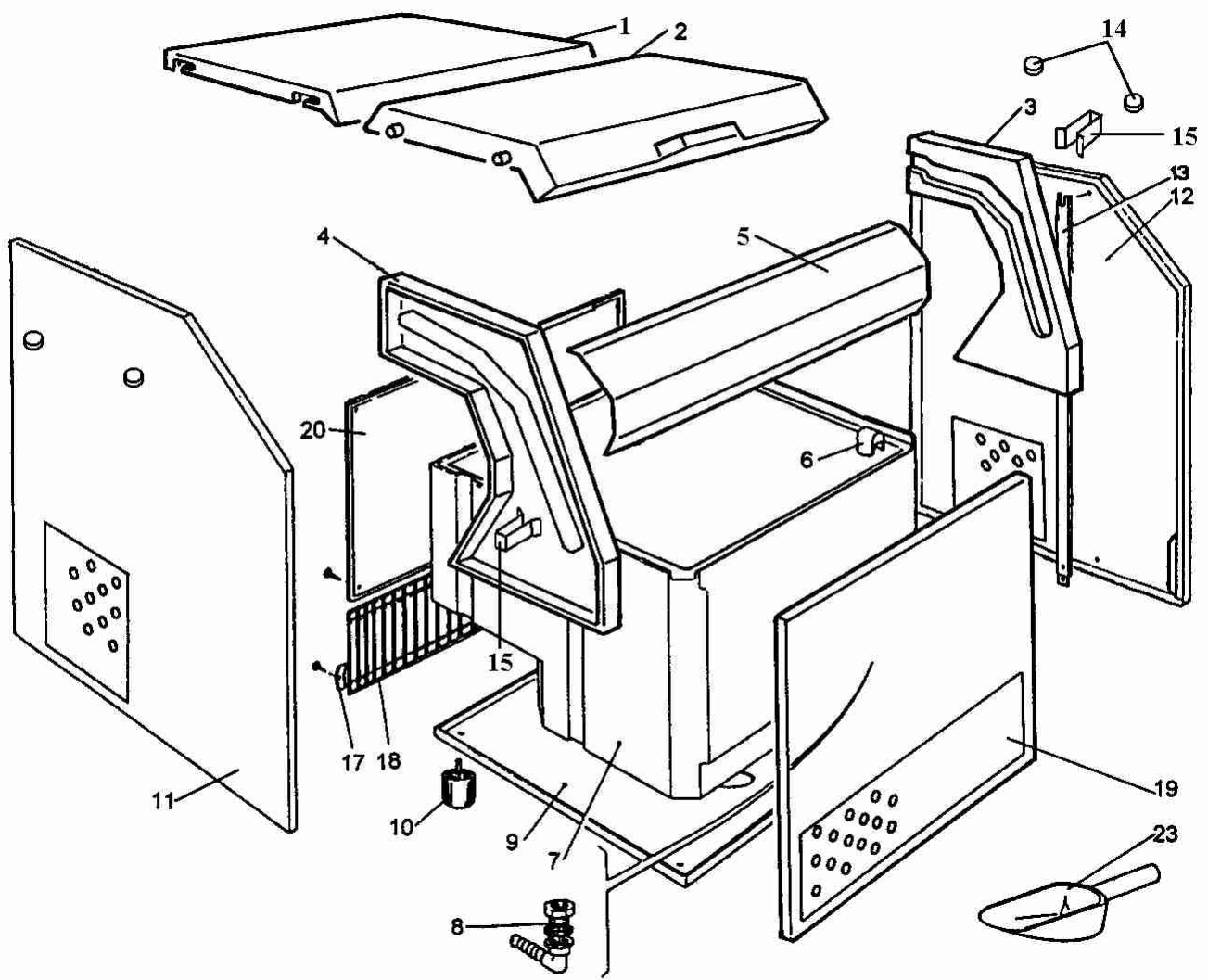


**MOD.MPM150 W**

# TAV.12

| POS. | COD.       | Denominazione                | Denomination        | Denominacion          | Bezeichnung                | Denomination             |
|------|------------|------------------------------|---------------------|-----------------------|----------------------------|--------------------------|
| 1    | 9015418500 | Coperchio MP60-80            | Cover               | Couvercle             | Deckel                     | Tapa                     |
| 1    | 9015420500 | Coperchio MP100-150          | Cover               | Couvercle             | Deckel                     | Tapa                     |
| 2    | 9090856300 | Sportello MP60-80            | Door                | Porte                 | Tür                        | Puerta                   |
| 2    | 9090857300 | Sportello MP100-150          | Door                | Porte                 | Tür                        | Puerta                   |
| 3    | 9030355000 | Fianco Plast. DX             | Plastic side (r.h.) | Côté droit            | Rechte Abdeckung           | Costado plást. derecho   |
| 4    | 9030356000 | Fianco Plast. SX             | Plastic side (l.h.) | Côté gauche           | Linke Abdeckung            | Costado plást. izquierdo |
| 5    | 9030394600 | Copertura frontale MP60-80   | Front cover         | Protection de vidange | Plastictrennung            | Cubierta frontal         |
| 5    | 9030394700 | Copertura frontale MP100-150 | Front cover         | Protection de vidange | Plastictrennung            | Cubierta frontal         |
| 6    | 9030410000 | Protezione Scarico MP60-100  | Drain cover         | Protection de vidange | Ablaufschutz Vorratsbehall | Protección drenaje       |
| 7    | 9087108000 | Vasca deposito MP60-80       | Ice bin             | Depôt                 | Vorratbehälter             | Cubeta depósito          |
| 7    | 9087110000 | Vasca deposito MP100-150     | Ice bin             | Depôt                 | Vorratbehälter             | Cubeta depósito          |
| 8    | 4041319000 | Piletta Scarico MP60-100     | Drain pipe          | Décharge              | Fussablaufstutze           | Tubo desagüe             |
| 9    | 9015018000 | Base p.componenti MP60-80    | Base                | Base                  | Untergestell               | Base de los elementos    |
| 9    | 9015020000 | Base p.componenti MP100-150  | Base                | Base                  | Untergestell               | Base de los elementos    |
| 10   | 2060112000 | Piedino MP60 MP100           | Foot                | Pied                  | Fuss                       | Pata                     |
| 11   | 9015154500 | Fianco SX                    | L.H. side panel     | Côté droit            | Linke Abdeckung            | Lado izquierdo           |
| 12   | 9015114500 | Fianco DX                    | R.H. side panel     | Côté gauche           | Rechte Abdeckung           | Lado derecho             |
| 13   | 9016101000 | Supp. Cinematismo MP60-100   | Support             | Support cinematisme   | Stützstab                  | Soporte cinematismos     |
| 14   | 9050470000 | Dado per incastro MP60-100   | Mounting nut        | Ecrou pour joint      | Mutter                     | Tuerca de ensamble       |
| 15   | 2062168000 | Clip MP60 MP100              | Small snap ring     | Petit clip            | Kleine Clip                |                          |
| 17   | 2062167000 | Piastrina                    | Plate               | Plaque                | Platte                     | Placa                    |
| 18   | 9015824000 | Griglia a Filo MP60-80       | Grille              | Grille                | Gitter                     | Rejilla al ras           |
| 18   | 9015826000 | Griglia a Filo MP100-150     | Grille              | Grille                | Gitter                     | Rejilla al ras           |
| 19   | 9015320500 | Frontale MP60-80             | Front panel         | Frontal               | Front                      | Panel frontal            |
| 19   | 9015322500 | Frontale MP100-150           | Front panel         | Frontal               | Front                      | Panel frontal            |
| 20   | 9015215000 | Schienale MP60-80            | Back panel          | Dossier               | Rückenlehne                | Panel trasero            |
| 20   | 9015217000 | Schienale MP100-150          | Back panel          | Dossier               | Rückenlehne                | Panel trasero            |
| 23   | 2063024000 | Sessola MP60 MP100           | Showel plastic      | Pelle                 | Schaufel                   | Paleta                   |

**TAV.12**



**MOD.MP60**  
**MOD.MP80**  
**MOD.MP100**  
**MOD.MP150**